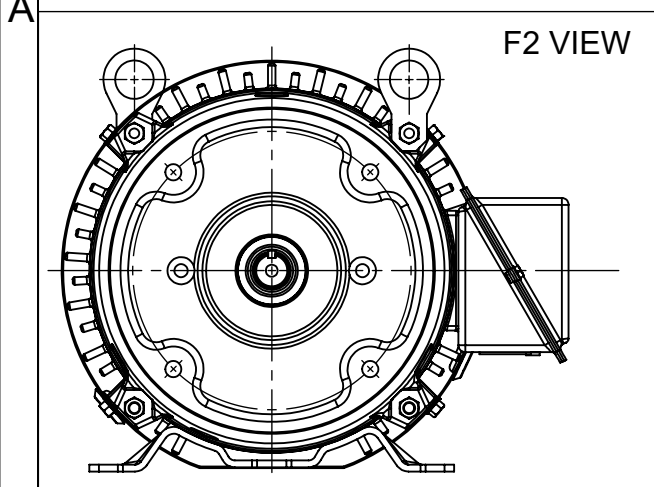
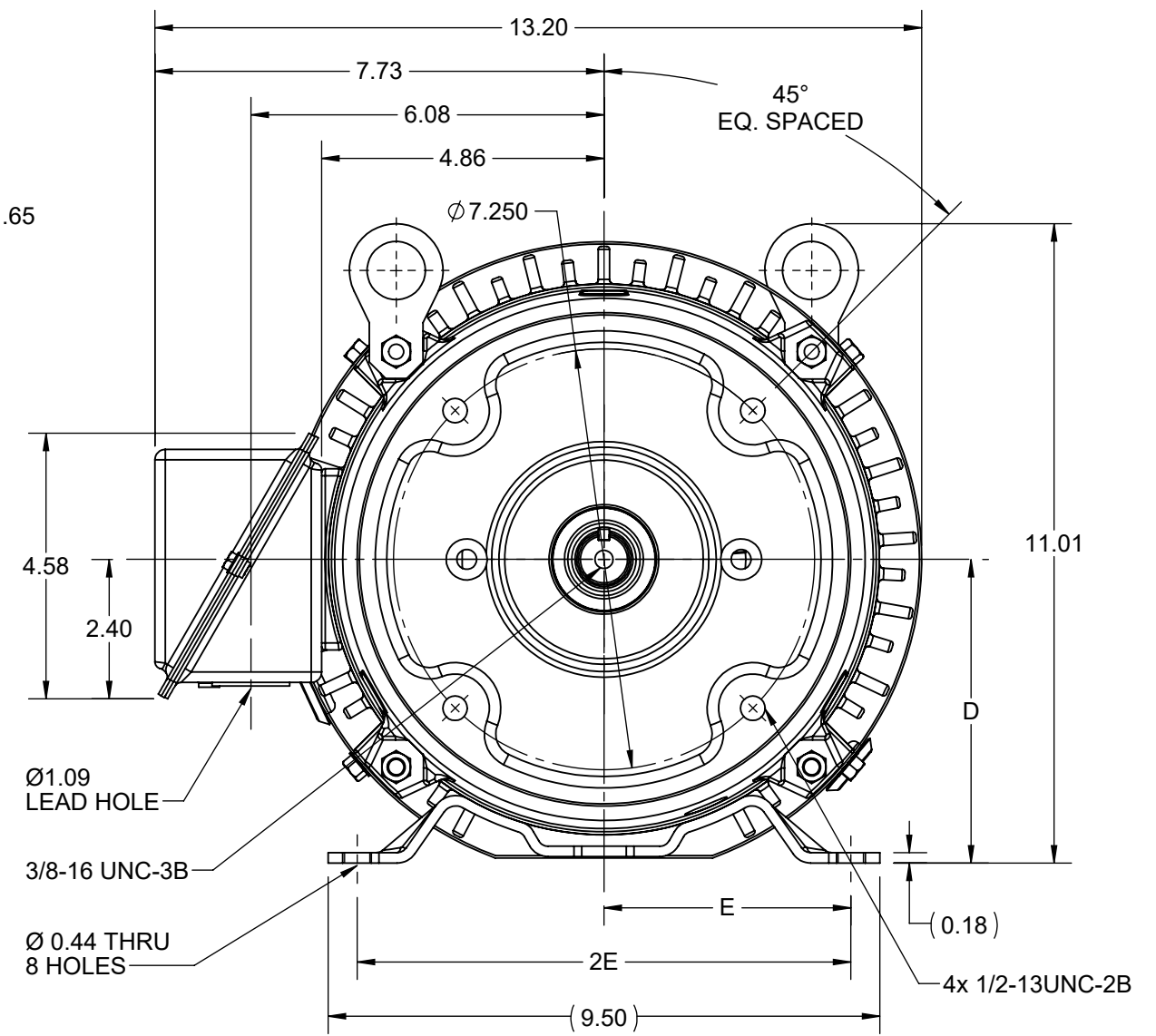
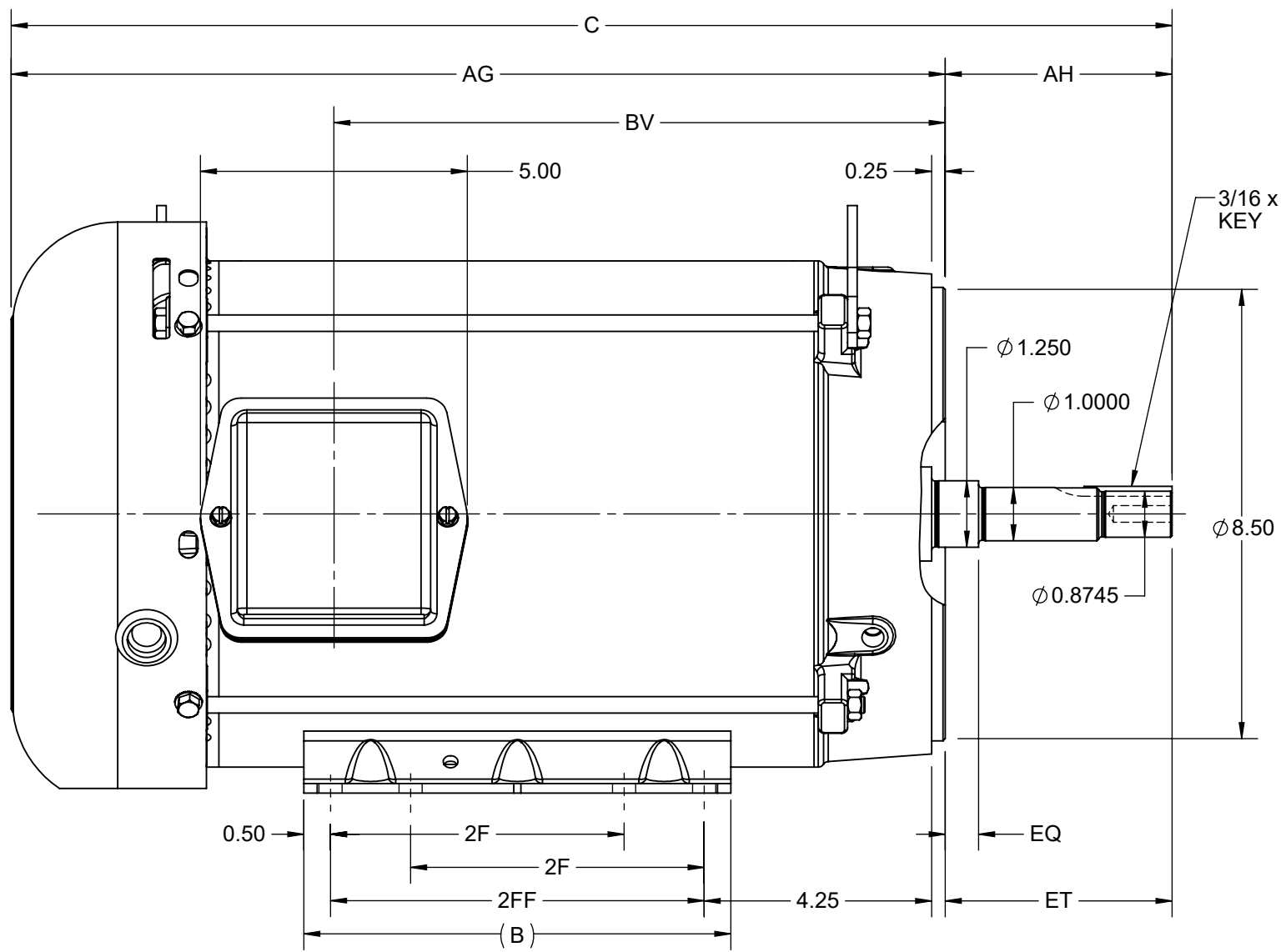


| DASH NO. | 4 | | | | 3 | | | | 2 | | | | 1 | |
|----------|------|-------|------|------|------|------|------|-------|------|-------|------|------|----------|-------|
| | B | C | D | E | 2E | 2F | 2FF | AG | AH | BV | EQ | ET | MOUNTING | FRAME |
| 100 | 8.00 | 20.25 | 5.25 | 4.25 | 8.50 | 5.50 | 7.00 | 16.00 | 4.25 | 9.95 | 0.63 | 2.87 | F1 OR F2 | 213JM |
| 200 | | 21.75 | | | | | | 17.50 | | 11.45 | | | | 215JM |



| | | |
|---|--------------------|-------------------------------|
| DRAWING REVISION E | REVISION BY RAM | REV DATE/© DATE 09/05/2022 |
| REQUEST NUMBER CR-0008840 | APPROVED BY SBD | DATE 09/05/2022 |
| REQUEST NUMBER DESCRIPTION FRAME AND CONDUIT BOX PART # UPDATED AS PER CR | | |
| <small>COPYRIGHT (PER REVISION DATE) REGAL BELOIT AMERICA, INC. ALL RIGHTS RESERVED. PROPRIETARY AND CONFIDENTIAL INFORMATION - THIS DOCUMENT IS THE PROPERTY OF REGAL BELOIT AMERICA, INC. ("OWNER") AND CONTAINS OWNER'S PROPRIETARY INFORMATION. ANY PERSON, CORPORATION OR OTHER FIRM RECEIVING IT IS DEEMED, BY RECEIVING IT, TO AGREE THAT IT, AND/OR ANY PART OF IT, SHALL NOT BE DISCLOSED TO ANY PERSON, CORPORATION OR OTHER ENTITY, DUPLICATED, AND/OR USED, EXCEPT AS EXPRESSLY APPROVED IN WRITING IN ADVANCE BY OWNER. THIS DOCUMENT SHALL BE RETURNED TO OWNER UPON REQUEST. IT MAY BE SUBJECT TO CERTAIN RESTRICTIONS UNDER APPLICABLE EXPORT CONTROL LAWS AND REGULATIONS.</small> | | |

PRIMARY DIMENSIONS ARE INCH
mm DIMENSIONS IN [BRACKETS]
ARE FOR REFERENCE ONLY

| | |
|-------------------------|--|
| DRAWN BY ZHY | Regal Beloit America, Inc. |
| DATE 13-04-2017 | |
| APPROVED BY WANG YAN | DESCRIPTION OUTLINE 213/215JM FR NEMA TEFC RS |
| DATE 13-04-2017 | MATERIAL |
| REFERENCE | PROCESS/FINISH |
| THIRD ANGLE PROJECTION | SIZE B |
| | DRAWING NUMBER SS620824 |
| | SHEET 1 OF 1 |